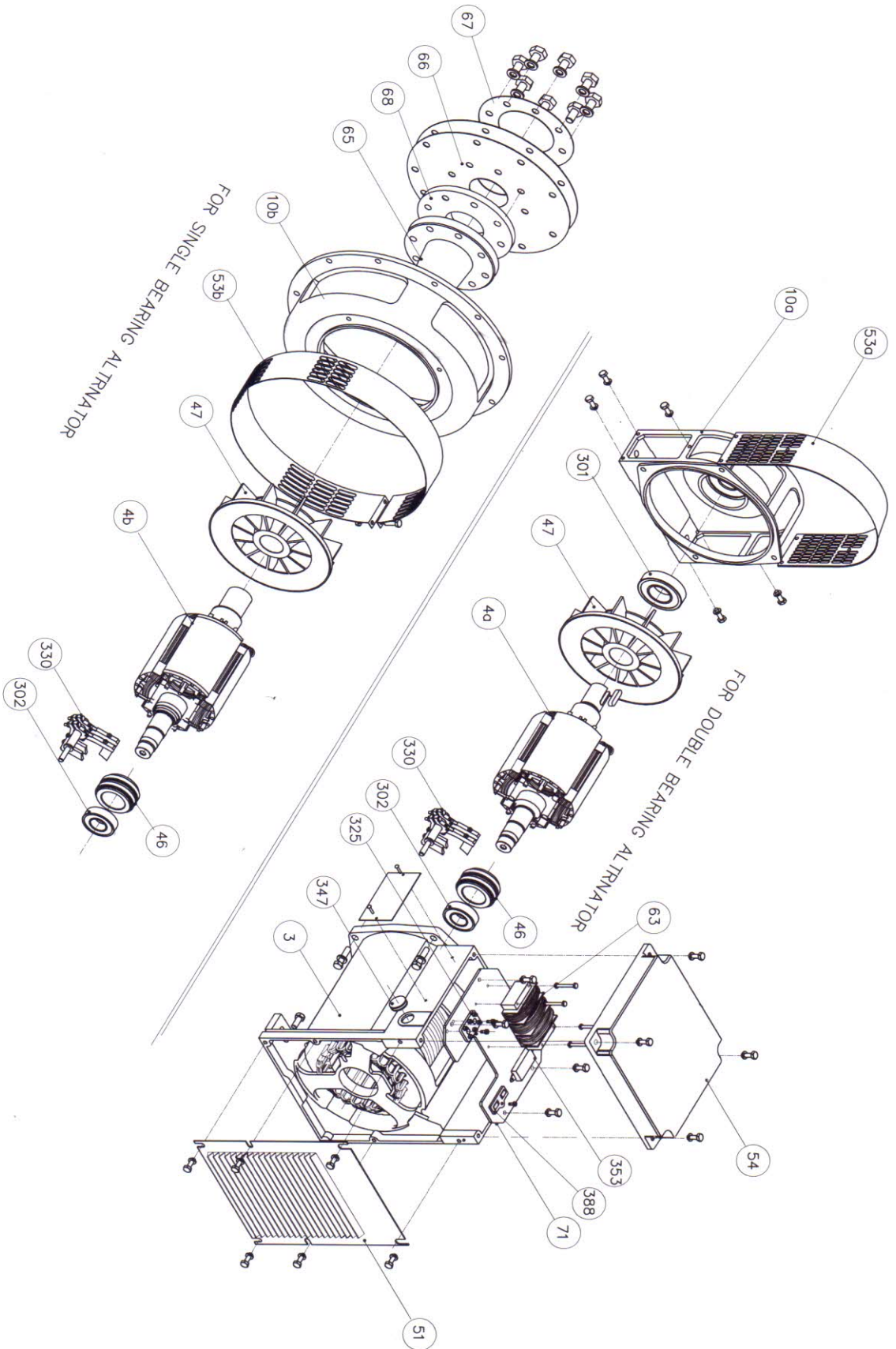


EXPLODED VIEW FOR SLIPRING ALTERNATOR



PART NO.	DESCRIPTION	QTY.
3	FRAME WITH WOUND PACK	1
4a	ROTOR (WOUND) (G2S)	1
4b	ROTOR (WOUND) (G1S)	1
10a	DE ENDSHIELD (G1S)	1
10a	DE ENDSHIELD (G2S)	1
46	MOULDED SLIPRING	1

PART NO.	DESCRIPTION	QTY.
47	FAN (NYLON)	1
51	END COVER	1
53a	DE VENT COVER (G2S)	1
53b	DE VENT COVER (G1S)	1
54	TERMINAL BOX COVER	1
63	WOUND BOBBIN	1

PART NO.	DESCRIPTION	QTY.
65	COUPLING HUB	1
66	COUPLING DISC SET	1
67	PRESSURE PLATE (DISC)	1
68	SPACER (DISC)	1
71	COMPOUND PLATE	1
301	DE BEARING	1

PART NO.	DESCRIPTION	QTY.
302	NDE BEARING	1
325	MAIN TERMINAL BOARD	1
330	B/H ASSEMBLY	1
347	CABLE ENTRY GROMMET	2
353	MOULDED RECTIFIER BRIDGE	1
388	RECTIFIER PROTECTION UNIT	1