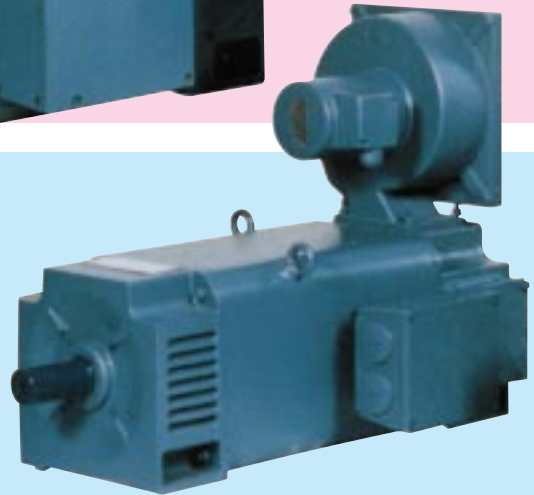
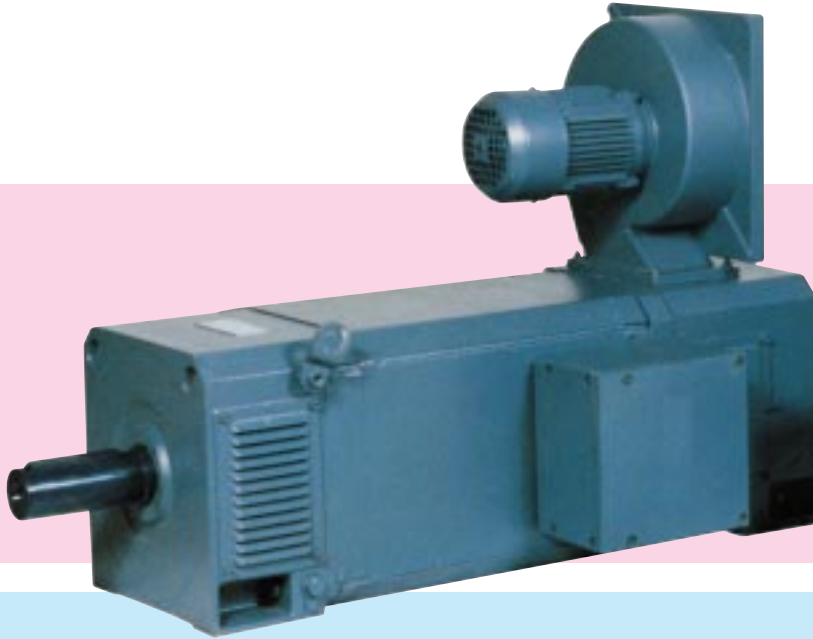




**Crompton
Greaves**

EVERYDAY SOLUTIONS

DC MOTORS



LT MOTORS DIVISION

A - 6/2, M.I.D.C., AHMEDNAGAR - 414111.

MAHARASHTRA.

TEL : +91 (0241) 2776 151-154, 2776146, 2776187.

FAX : +91 (0241) 2777508

INTRODUCTION

Crompton Greaves Ltd, a name synonymous with rotating machines have DC Motors Technology inherited from SIEMENS, Germany, the pioneer and world leader in DC Motors. Today, Crompton Greaves offers an entire range of world class DC Motors.

The motors are manufactured at Crompton Greaves Ltd. Ahmednagar factory, an ISO accredited set up having state - of - the - art manufacturing facilities. The high quality standards maintained in manufacturing and testing give superior electrical and mechanical features - making the motors most suitable for operating in tropical environments.



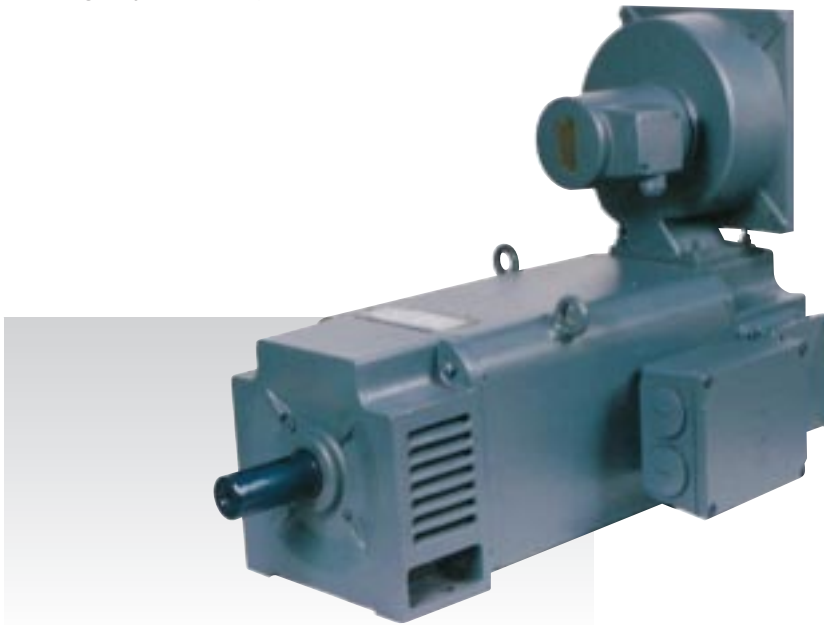
The Ahmednagar factory - manufacturing DC Motors

SPECIAL FEATURES

- Fully laminated yoke construction offering excellent commutation - suitable for 6 pulse thyristor power supply
- Skewed Rotor construction - ensuring low noise
- Vacuum pressure impregnation for armature winding - ensuring high insulation strength
- High dynamic response

APPLICATIONS

- Plastic Extruders
- Printing Machines
- Steel Rolling Mills and Wire Rod Mills
- Sugar Industry
- Textile Mills
- Apron Feeders
- Machine Tools
- Rubber Industry
- Cement Mills
- Cable Industry
- Paper Mills
- Material Handling



Laminated Yoke DC Motor manufactured at Ahmednagar

- Compact, low weight and highly energy efficient
- Larger size of bearings - for longer life and trouble free operations
- Constant / uniform pressure brush holders
- Easy fitting and retro-fitting of filters



Aux Mill Duty DC Motors as per IPSS/AISE Standards are also manufactured

SPECIFICATIONS

Laminated Yoke

Construction Range :

Output : 1.2 kW to
450 kW

Frames : ASBG 100 to
ASBG 280

DESIGN PARAMETERS	STANDARD	OPTIONAL
ARMATURE VOLTAGE	440 V	MAX. 470 V UPTO FRAME 132, MAX. 600 V ABOVE FRAME 160
FIELD VOLTAGE	220 V	MAX. UPTO 500 V
EXCITATION TYPE	SHUNT	SERIES
INSULATION	CLASS 'F' UPTO 132 CLASS 'H' ABOVE 160	CLASS 'H'
TYPE OF MOUNTING	B3	B35, V1, V3
DEGREE OF PROTECTION	IP 23	IP 54 WITH IC 37 (HEAT EXCHANGER)
ARRANGEMENT OF T. BOX	RHS FROM DE SIDE	ANY OTHER ARRANGEMENT
TACHO MTG. PROVISION	DTG 4000	ANY OTHER
TYPE OF MOUNTING OF BLOWER	TOP ON NDE SIDE	ANY OTHER MOUNTING
AIR FLOW DIRECTION	FROM NDE TO DE	FROM DE TO NDE
AIR FILTER	NIL	DRY TYPE FILTER (RECOMMENDED FOR DUSTY ENVIRONMENT)
AIR FLOW SWITCH	NIL	VENTCAPTOR AIR FLOW MONITOR
BEARINGS	BALL BEARINGS	ROLLER BEARING ON DE SIDE FOR HIGH CANTILEVER FORCES
SHAFT END	WITH KEYWAY, BALANCING WITH FULL KEY	DOUBLE SHAFT EXTENSION WITHOUT TACHO MOUNTING ARRANGEMENT
SPACE HEATER	NIL	230 V, 1 PH
THERMISTER	NIL	FOR TRIP. FOR ALARM AND TRIP
PAINT FINISH	631 OF IS:5	PRIMER ONLY / ANY OTHER SHADE

BRUSH LIFETIME

FRAME	TIME IN Hrs.
Upto 160	15000
180	14000
200	12500
225	11000
250	11000
280	11000

BRUSH MATERIAL,
COMMUTATION :
Practically sparkless
commutation with converter
feeding, even under overload
conditions is achieved. As a
result, the brushes have an
extremely long life.

NOISE LEVEL

FRAME	MEASURING SURFACE SOUND PRESSURE LEVEL IN dB(A)*
100	<70 dB
112	<70 dB
132	<70 dB
160	<75 dB
180	<75 dB
200	<75 dB
225	<85 dB
250	<85 dB
280	<85 dB

The noise levels of the motors have been calculated in accordance with DIN EN 21 680 and are well below the values permitted by EN 60034 - 9. They have been achieved both by means of design measures and by optimising the magnetic circuit and the separately driven fans.

*** At No Load, with blower ON, with thyristor supply**

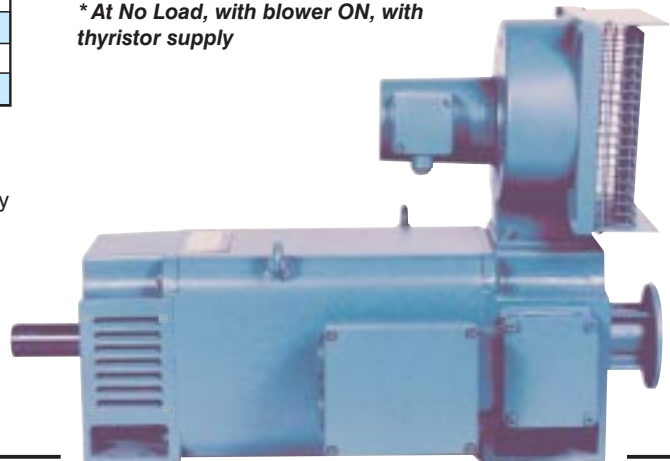
FORCED COOLING DETAILS

FRAME	COOLING AIR FLOW IN m ³ /sec	REQUIRED PRESSURE HEAD IN milliBar
ASBG 100	0.06	5
ASBG 112	0.07	5
ASBG 132	0.09	5
ASBG 160	0.20	13
ASBG 180	0.30	13
ASBG 200	0.35	13
ASBG 225	0.50	16
ASBG 250	0.60	16
ASBG 280	0.75	16

The blowers of DC Motors have three phase motors with wide range of winding and supply voltages. The blower motors are selected strictly in accordance with the air quantity required and ensures cool running of motors under the specified operating loads / overloads. The terminal box of blower motors are easily assessible.

FILTER MOUNTING :

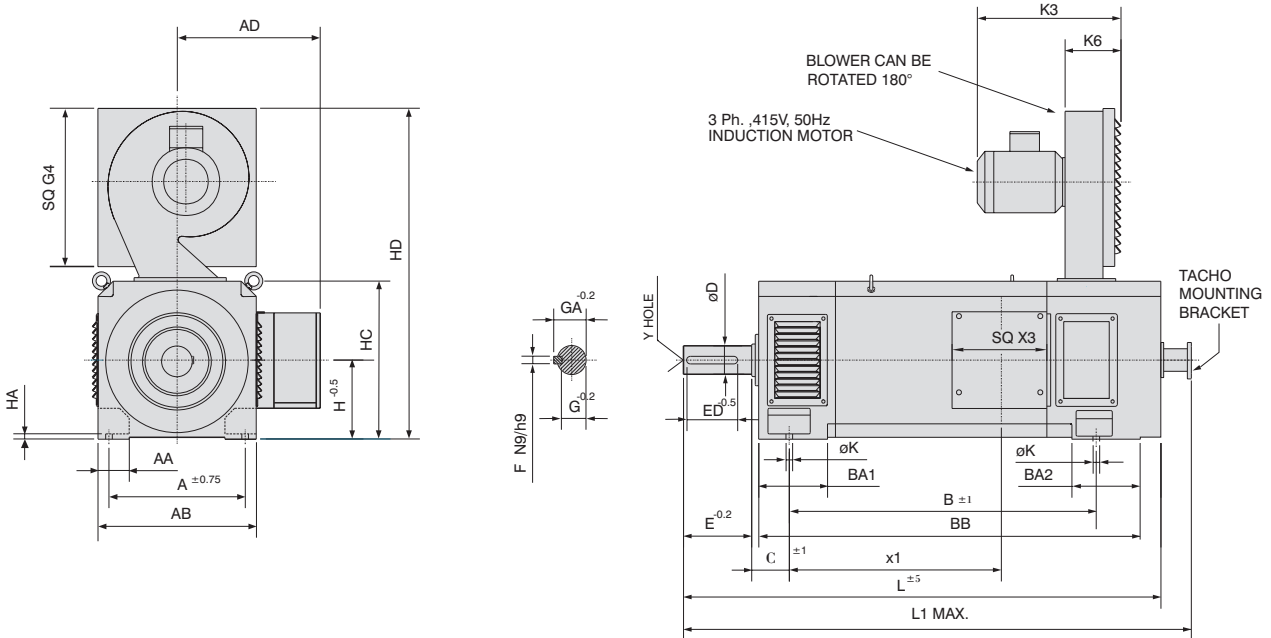
A dry type air filter can be mounted or retro-fitted on all the DC Motors without derating.



TECHNICAL DATA

RATED OUTPUT IN KW AT 1500 RPM	FRAME	RATED TORQUE IN Nm	RATED ARM. CURRENT	EFFICI- ENCY	FIELD POWER IN watt	MAX. FIELD WEAKENING SPEED	MAX. SAFE MECH. SPEED	MOMENT OF INERTIA IN kg-m ²	WEIGHT IN kg
2.5	ASBG 100S	16	7.8	68	270	3350	5000	0.016	50
3.7	ASBG 100M	24	11.3	70	330	3250	5000	0.020	61
5.5	ASBG 100L	35	16.0	74	400	3100	5000	0.025	76
6.4	ASBG 112S	41	18.3	76	330	3550	4500	0.032	93
7.5	ASBG 112M	48	21.5	78	400	3750	4500	0.042	115
11	ASBG 132S	70	30.7	80	470	2400	4500	0.090	125
15	ASBG 132M	95	41.5	81	540	2400	4500	0.110	145
20	ASBG 132L	127	52.7	83	620	2200	4500	0.140	170
22.5	ASBG 132L	143	59.0	83	620	2200	4500	0.140	170
30	ASBG 160A	191	79	83	1810	3000	4000	0.290	290
40	ASBG 160S	255	105	83	1810	2350	4000	0.320	320
56	ASBG 160M	356	147	84	2080	1950	4000	0.380	365
60	ASBG 160L	382	157	85	2300	3000	4000	0.460	428
70	ASBG 180S	446	180	85	2500	3400	3500	0.6	460
80	ASBG 180M	509	203	87	2700	3300	3500	0.7	520
100	ASBG 180M	637	253	87	2700	3300	3500	0.7	520
115	ASBG 200S	732	291	88	2800	2800	3000	1.2	610
125	ASBG 200M	796	312	89	2900	3500	3000	1.3	690
135	ASBG 200M	859	337	89	2900	3300	3000	1.3	690
150	ASBG 200M	955	374	89	2900	3100	3000	1.3	690
158	ASBG 200M	1006	394	89	2900	3100	3000	1.3	690
160	ASBG 225S	1018	400	89	2900	2460	3000	2.2	880
180	ASBG 225M	1146	441	91	3500	2650	3000	2.5	990
210	ASBG 225M	1337	515	91	3500	2320	3000	2.5	990
225	ASBG 225M	1432	552	91	3500	2320	3000	2.5	990
235	ASBG 250S	1496	573	92	4000	2250	2500	3.6	1160
270	ASBG 250S	1719	658	92	4000	2025	2500	3.6	1160
280	ASBG 250S	1782	682	92	4000	1980	2500	3.6	1160
295	ASBG 250S	1878	719	92	4000	1980	2500	3.6	1160
325	ASBG 250M	2069	791	92	4700	1990	2500	4.2	1320
400	ASBG 280S	2546	965	93	4800	1710	2500	6.4	1560
450	ASBG 280M	2864	1079	93	5400	1450	2500	7.5	1780

DIMENSIONS



FRAME	SHAFT EXTENSION DETAILS								FOOT HOLE DIMENSIONS								OVERALL DIMENSIONS						BLOWER DIMENSIONS				
	H	D	F	G	GA	E	ED	Y	A	AA	AB	B	BA1	BA2	BB	C	HA	K	AD	HC	HD	X1	L	L1	K3	K6	G4
ASBG 100S	100	28	8	24	31	60	50	M10X24	160	40	198	257	60	60	290	63	9	12	190	200	445	120	460	535	235	100	220
ASBG 100M												305			340							405					
ASBG 100L												369			405							405					
ASBG 112S	112	38	10	33	41	80	70	M12X28	190	40	220	340	100	60	420	70	10	12	220	222	470	230	585	655	235	100	220
ASBG 112M												400			480							480					
ASBG 132S	132	42	12	37	45	110	90	M16X32	216	45	258	320	125	75	425	89	11	12	245	260	545	175	640	710	240	100	255
ASBG 132M												370			475							535					
ASBG 132L												430			475							535					
ASBG 160A	160	60	18	53	64	140	125	M20X42	254	55	316	530	140	125	630	70	12	14	305	318	680	245	785	852	355	120	310
ASBG 160S												590			690							760					
ASBG 160M												660			760							850					
ASBG 160L												750			850							850					
ASBG 180S	180	65	18	58	69	140	125	M20X40	279	65	360	600	110	130	730	121	14	15	350	360	740	370	1020	1085	475	185	350
ASBG 180M												670			800							800					
ASBG 200S	200	70	20	62.5	74.5	140	125	M20X40	318	80	400	645	120	185	815	133	18	19	370	400	780	390	1090	1160	475	185	350
ASBG 200M												725			895							895					
ASBG 225S	225	80	22	71	85	170	140	M20X40	356	85	450	735	140	200	925	149	18	19	430	450	980	475	1290	1355	550	215	430
ASBG 225M												825			1015							1015					
ASBG 250S	250	90	25	81	95	170	140	M24X50	406	95	500	785	150	240	1015	168	22	24	455	500	1030	530	1420	1490	530	215	430
ASBG 250M												885			1115							1115					
ASBG 280S	280	95	25	86	100	170	140	M24X50	457	100	560	850	160	230	1100	190	22	24	485	560	1090	585	1500	1565	530	215	430
ASBG 280M												960			1210							1210					

Note : For Nonstandard motor, refer to Works.

FOR FURTHER INFORMATION PLEASE CONTACT :

LT Motors Division

A - 6/2, M.I.D.C., Ahmednagar 414111.
Tel : 0241 - 2776 150 - 157.
Fax : 0241 - 2777508

Regd. Office :

CG House, 6th Floor,
Dr. Annie Besant Road,
Worli, Mumbai 400 025.
Tel. : 022 - 24237777. Fax : 022 - 24382288.

REGIONAL SALES OFFICES**NORTH**

Vandana, 11 Tolstoy Marg,
New Delhi 110 001.
Phone : (011) 30416300

EAST

50, Chowringhee Road,
Kolkata 700 071.
Phone : 033 - 22829681-85

WEST

Kanjur Marg (E),
Mumbai 400 042.
Phone : 022 - 55558000

SOUTH

3-A, MGR Salai, (K. H. Road),
Nungambakkam, Chennai 600 034.
Phone : 044 - 42247500

REGIONAL SERVICE CENTRES**NORTH**

Vandana, 11, Tolstoy Marg,
New Delhi 110 001.
Phone : 011 - 23730920

EAST

21, R.N. Mukherjee Road,
Kolkata 700 001.
Phone : 033 - 22489160.

WEST

Kanjur Marg (E),
Mumbai 400 042.
Phone : 022 - 55558590

SOUTH

3 A, MGR Salai, (K. H. Road)
Nungambakkam, Chennai 600 034.
Phone : 044 - 28257375.

BRANCHES**NORTHERN REGION :****Jaipur :**

Church Road, P.O. Box No. 173, Jaipur 302 001.
Phone : 0141 - 3018802

Jalandhar :

416-417, 3rd Floor, Prestige Chambers,
GT Road, Jalandhar 144 001.
Phone : 0181 - 3940990

Lucknow :

Saran Chambers II, 3rd Floor,
5 Park Road, Lucknow 226 001.
Phone : 0522 - 2237007

EASTERN REGION :**Bhubaneshwar :**

Janpath Tower, 3rd Floor, Ashok Nagar,
Unit II, Bhubaneshwar 751 009, Orissa.
Phone : 0674 - 2531128, 2531429

WESTERN REGION :**Ahmedabad :**

909-916, Sakar II, Near Ellis Bridge Police Station,
Ahmedabad 380 006.
Phone : 079 - 26587238.

Indore :

103-B, Apollo Trade Centre, 2B, Rajgarh Kothi,
Mumbai-Agra Road, Indore 452 001.
Phone : 0731 - 2498269.

Nagpur :

3, West High Court Road, Lal Bahadur Shastri Chowk,
Dharampeth, Nagpur 440 010.
Phone : 0712 - 2531271.

Pune :

Premium Point, 4th Floor, Opp. Modern High School,
Jangali Maharaj Road, Pune 5.
Phone : 020 - 25534675-77

SOUTHERN REGION :**Bangalore :**

1st Floor, Janardhana Towers, 562/640,
Bannerghatta Road, Bilekahalli, Bangalore 560 076.
Phone : 080 - 51391908/909.

Cochin :

Cherupushpam Building, 5th Floor,
300-6, Shanmugam Road, Ernakulam,
Cochin 682 031.
Phone : 0484 - 2370860 - 63.

Secunderabad :

Minerva House, 4th Floor, 94,
Sarojini Devi Road, Secunderabad 500 003.
Phone : 040 - 40002300.

NOTE : Design and manufacture of Crompton Greaves equipment are subject to constant improvements. The product supplied may differ in some details from the information given in this leaflet.