



Document kind

Document identity

Revision

Report

3GZH XXXXXX

A

Owner organization

Document type

Date of revision (yyyy-mm-dd)

Status

Page(s)

Motors and Generators

Spare Part List

2018-11-15

Approved

2(6)

Division/Department

Prepared by

Approved by

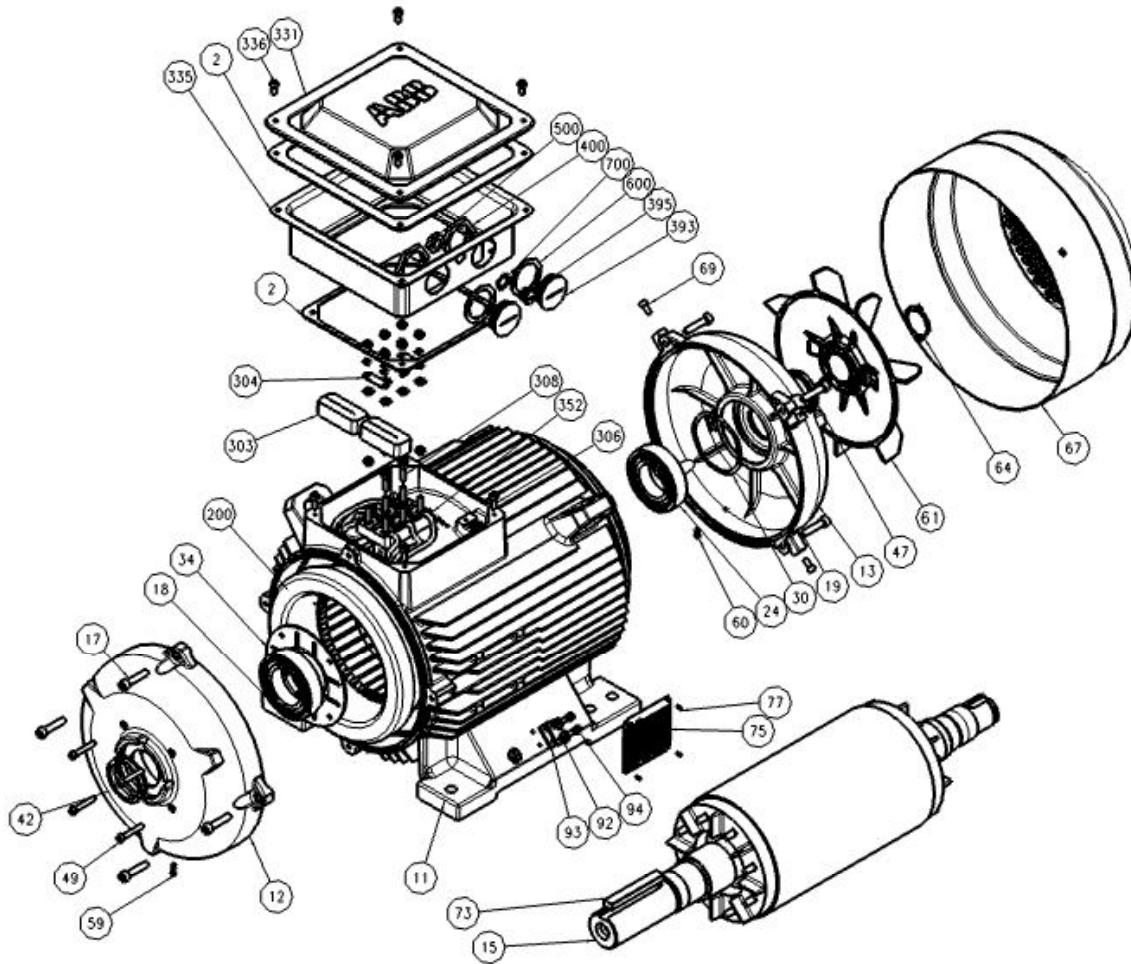
Security level

RMMG / PG IEC LV

IN R&D

Service Head

Internal



| | | | |
|-----------------------------------------------------------------------------------|------------------------|-------------------------------|----------------|
|  | Document kind | Document identity | Revision |
| | Report | 3GZH XXXXXX | A |
| Owner organization | Document type | Date of revision (yyyy-mm-dd) | Status Page(s) |
| Motors and Generators | Spare Part List | 2018-11-15 | Approved 3(6) |
| Division/Department | Prepared by | Approved by | Security level |
| RMMG / PG IEC LV | IN R&D | Service Head | Internal |

| | | | |
|----|--------------------------------|-----|---------------------------------|
| 2 | Sealing for terminal box | 73 | Key D |
| 2 | Sealing for terminal box cover | 75 | Rating plate |
| 11 | Frame | 77 | Rating plate rivet |
| 12 | Endshield for D | 92 | Conical earthing washer |
| 12 | Flange shield | 93 | Earthing plate |
| 13 | Endshield for N | 94 | Earthing screw |
| 15 | Rotor | 200 | Stator, complete |
| 17 | Endshield fixing screw D | 303 | Cable sealing |
| 18 | Bearing for D | 304 | Connecting link |
| 19 | Endshield fixing screw N | 306 | Terminal box fixing screw D |
| 24 | Bearing for N | 308 | Terminal board fixing screw |
| 30 | Wave spring | 331 | Terminal box cover |
| 34 | Bearing cover D | 335 | Terminal box |
| 42 | V-ring for D | 336 | Terminal box cover fixing screw |
| 47 | V-ring for N | 352 | Terminal board, insulator |
| 49 | Bearing cover fixing screw D | 393 | Cable entry plug |
| 59 | Plug D | 395 | Cable entry plug |
| 60 | Plug N | 400 | Lock nut |
| 61 | Fan | 500 | Lock nut |
| 64 | Retaining Ring for fan | 600 | Cable plug seal |
| 67 | Fan cover | 700 | Cable plug seal |
| 69 | Fan cover attachment screw | | |

When ordering parts, and in all correspondence, please quote the type designation and serial number of the motor. If the rating plate is missing, state the number stamped on the free end of the shaft. We reserve the right to alter designations and storage without prior notice.