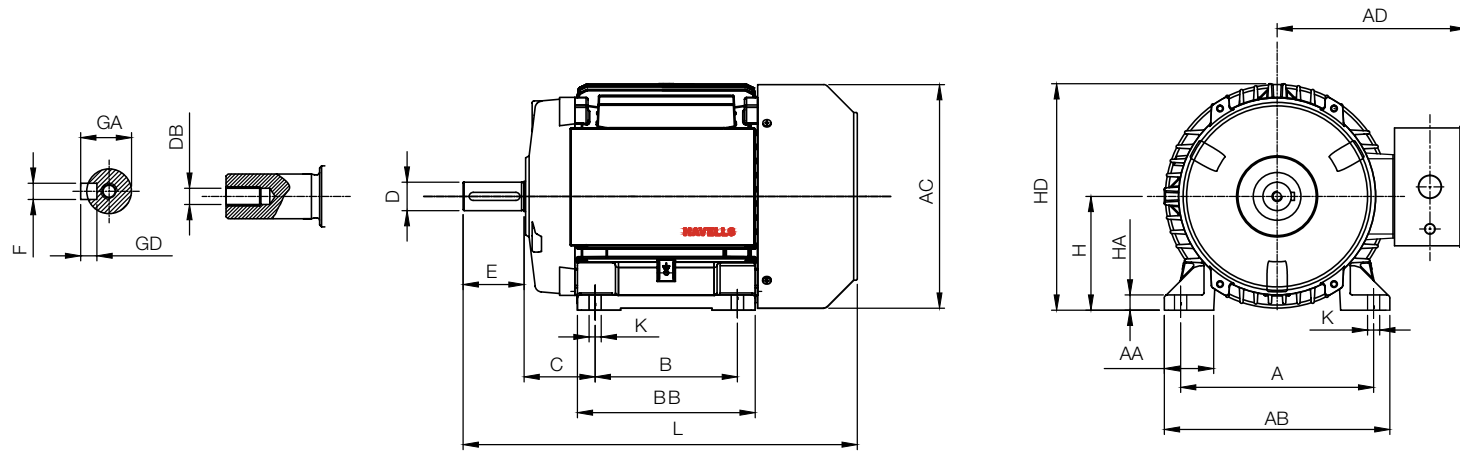


IEC Frame Single Phase Motor

Dimensions are in (mm)



Frame	No. of Poles	H	A	B	C	K	AB	BB	AD	HD	AC	HA	L	AA	D/DA	E/EA	F	GD	GA	DB
80	4	80	125	100	50	10	153	125	134	219	156	9.5	260 310	35	19	40	6	6	21.5	M6
90S	4	90	140	100	56	10	180	130	160	250	176	12	335 375	36	24	50	8	7	27	M8
90L	4	90	140	125	56	10	180	155	160	250	176	12	335 375	36	24	50	8	7	27	M8
100L	4	100	160	140	63	12	205	176	170	270	196	14	366 390	40	28	60	8	7	31	M10
112M	4	112	190	140	70	12	230	180	188	300	220	15	400	45	28	60	8	7	31	M10

Single phase 230 Volts, 50 Hz, with Cast Iron Body,
Insulation Class F, suitable for S1 (Continuous) Duty IEC Frame Motors.

Frame	HP	KW	Voltage	RATED AMP.	RPM	Enclosure	Types	Starting Torque	Breakdown Torque
80	0.5	0.37	230	2.4	1425	TEFC	CSCR	200	200
80	1.0	0.75	230	5	1425	TEFC	CSCR	230	215
100L	1.5	1.1	230	7.6	1425	TEFC	CSCR	260	265
100L	2.0	1.5	230	10.2	1425	TEFC	CSCR	240	228
112M	3.0	2.2	230	14.5	1440	TEFC	CSCR	230	245

General Applications of Havells Single Phase Motors

- Box Strapping Machines
- Jewellery Making Machines
- Pouch Making Machines
- Sugar Cane Crushers
- Washing Machines
- Vacuum Pumps
- Printing Presses
- Room Coolers
- Paint Mixer
- Surgical Pumps
- Needle Vibrator
- Sewing Machines
- Machine Tools
- Wheel Balancer
- Compressors



Regional & Branch Offices:

NORTH - REGIONAL OFFICE: Corporate Office: QRG Towers, 2D, Sector-126, Expressway, Noida-201304, Tel: 0120-3331000, **Delhi:** Tel: 011-47676700, 23888200, **Chandigarh:** Tel: 0172-4232400-401, **Dehradun:** Tel: 0135-6670202, **Noida / Haryana:** Tel: 0120-3331000, **Ludhiana:** Tel: 0161-4676000 / 24, **Jammu:** Tel: 0191-2478330, 2479330, **Sri Nagar:** Tel: 0194-2490431, **Jaipur:** Tel: 0141-3914645, 3988210 **Jodhpur:** Tel: 0291-9214201640 / 45, **Lucknow:** Tel: 0522-6672100, **Kanpur:** Tel: 0512-6710400, 6710409

EAST - REGIONAL OFFICE: **Kolkata:** ICC Tower, 5th Floor, 4 India Exchange Place, Kolkata-700001, Tel: 033-40129851 / 52, **Bhubaneshwar:** Tel: 0674-6668101/102/103/104, **Guwahati:** Tel: 0361-2134521, 2458923, 2460355, **Siliguri:** Tel: 0353-2525907, **Ranchi:** 0651-2244861, 2244862, 2244864, 2244868, 2244869, **Jamshedpur:** Tel: 0657-6542492, 09234369436, **Patna:** Tel: 0612-2207221, 2207222, 2207223, 2655518

WEST - REGIONAL OFFICE: **Mumbai:** 301, Everest House, 3rd Floor, 6, Suren Road, Chakala, Andheri (E), Mumbai - 400 093, Tel: 022-67298600-602, **Ahmedabad:** Tel: 079-40061111, 40060738-740, **Indore:** Tel: 0731-2572340-41, 4009998 (Airtel), **Rajkot:** Tel: 0281-2481112, 2921212, **Nagpur:** Tel: 0712-2240932, 2242692, 2242699 **Pune:** Tel: 020-64016413 / 14, **Raipur:** Tel: 0771-4243400 / 01, **Surat:** Tel: 0261-2350137, 9979890137, **Jabalpur:** Tel: 0761-4064491

SOUTH - REGIONAL OFFICE: **Chennai:** Sigapi Achi Building, No. 18 / 3, 6th Floor, Rukmani Lakshmiipathy Road, Egmore, Chennai-600008, Tel: 044-42280600, 605, **Bangalore:** Tel: 080-49075000, **Coimbatore:** Tel: 0422-2305767, 2306199, 2305199, **Hyderabad:** Tel: 040-27533372, 27533355, 27533632, 66320407/0408/6401/6402, **Kochi:** Tel: 0484-4099000, **Vishakapatnam:** Tel: 0891-6514339, **Vizag:** Tel: 0891-6514339, **Vijayawada:** Tel: 91-9247058847/57, **Calicut:** 4954019194, **Madurai:** 09994493242, **Trivandrum:** 4714015323, **Hubli:** 09448146028, **Trichy:** 09944460160

Representative Offices: • Goa • Solapur • Gwalior • Kathmandu • Bhopal



Havells India Ltd.
 QRG Towers, 2D, Sector -126, Expressway, Noida - 201 304 (UP), Ph. +91-120-3331000,
 E-mail: marketing@havells.com, www.havells.com
 Consumer Care No.: 1800 11 0303, 1800 103 1313 (All Connections), 011-4166 0303 (Landline)
 Join us on Facebook at www.facebook.com/havells and share your ways to save the planet!
 CIN - L31900DL1983PLC016304.



Energy Efficient General Purpose
Single Phase Motors



◆ Catalogue 2018

B48, B56, 100S & IEC Series
 CE HAVELLS MOTORS

Range

Havells Offers wide range of energy efficient general purpose single phase motors ranging from 0.25 HP to 3 HP in B48, B56, 100S & IEC Frames suitable for 230V, 50 Hz power supply.

Apart from our standard range of single phase motors, we also supply special applicaiton motor as per customers requirement. We are well-known for developing customized solutions in a shortest possible time due to our in-house development center and large manufacturing facility.

Type of Enclosures

We offer various options of enclosure types such as -

Drip Proof (DP)

Drip Proof Fan Cooled (DPFC)

Totally Enclosed (TE)

Totally Enclosed, Fan Cooled (TEFC)

Bearings & Lubrication

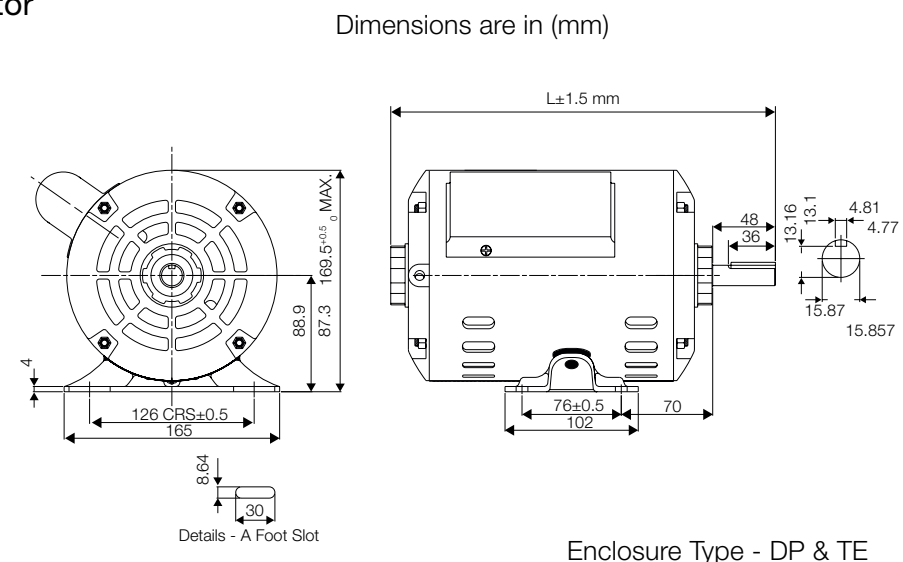
Sleeve bearing motors are lubricated for lifetime by using TM Permawick Lubrication system. This can give up to 40,000hours of trouble-free operation without relubrication in normal running conditions.

Features

- Energy Efficient
- Continous running duty
- Sealed ball bearing
- Class F insulation
- Dual enamelled copper wire
- CSIR/CSCR models
- MCB & thermal protection in 100S series
- Easy change direction of rotation
- High starting torque

B56 Series

Single Phase Motor



Ball bearing motors use double shielded, deep groove bearings and are lubricated for lifetime.

Thermal Overload Protection (TOP)

Single phase motors are provided with T.O.P. this will provide manual or auto reset thermal overload protectton. It can be temperature/current sensing type and provides excellent protection against motor burnouts.

Centrifugal Switch

Centrifugal Switch is used for providing high Starting Torque with help of Starting Capacitor. Centrifugal gear is used for trouble-free operation. Open circuit switch has bimetallic contacts consisting of Silver alloy and Copper. These contacts have excellent anti-weld properties and can safely rupture heavy current.

Shafts & Rotors

Shafts are made on highly accurate CNC M/C. Shafts are made of EN8/C40 steel and ground to 10 micron accuracy. Stainless steel shafts can also be supplied, if required.

For special applications, pressure die-cast rotors are steam blued at our plant. This ensures rust prevention and also enhances motor efficiency.

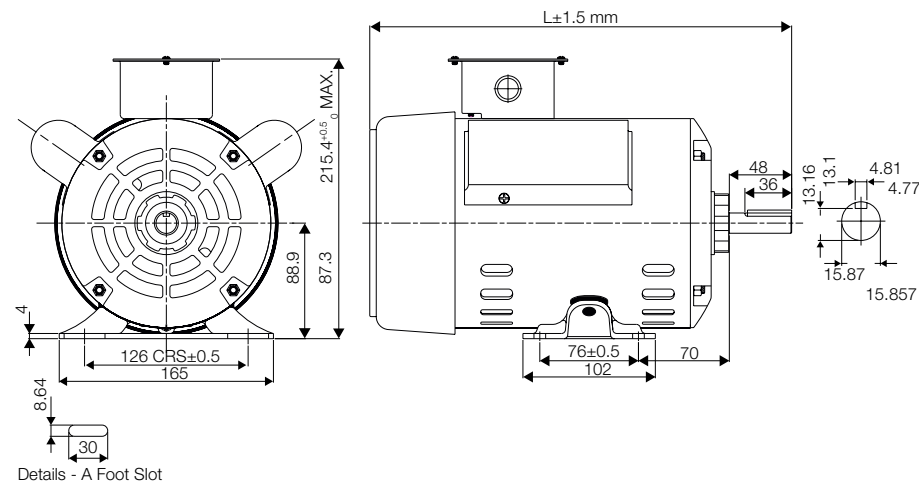
Special motors

Apart from our standard range we can also offers single phase motors for 110V, 60Hz with other specialities as per customer requirement.

Mountings

Motors can also be offered for various mounting like:

- Foot
- Flange
- Foot cum flange
- Pad



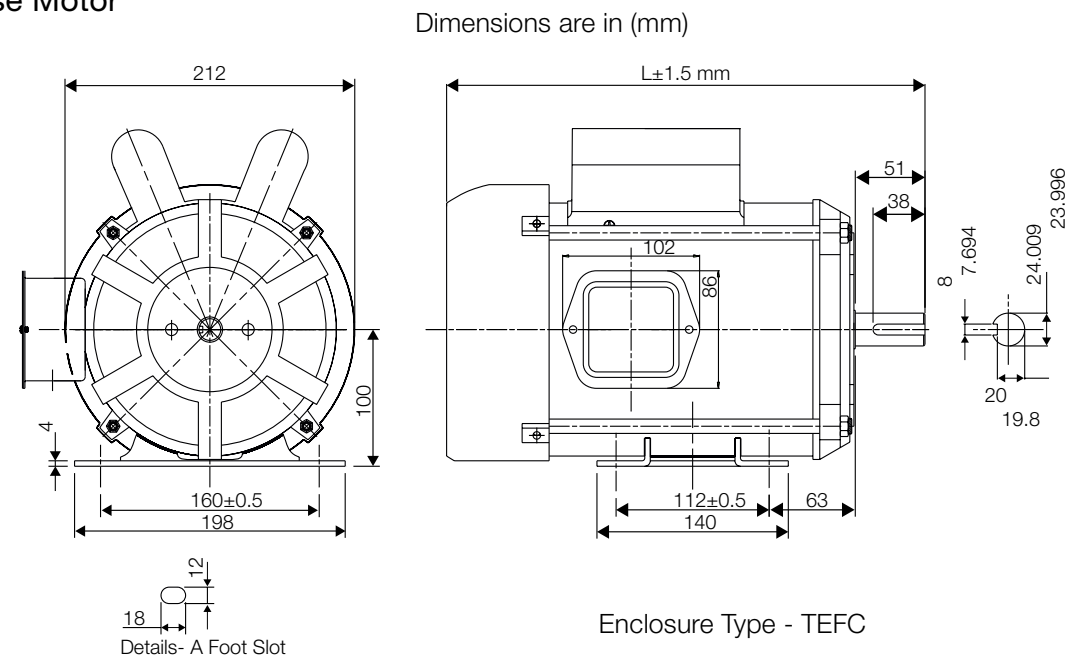
*Suitable for 160V to 240V 50Hz Operation | BS 5000 Part 11 / IS 996 for performance

Single phase - FHP Motor

Enclosure Type - DPFC & TEFC

100 Series

Single Phase Motor



Enclosure Type - TEFC

AC Supply 230V, 50Hz, 1Ø

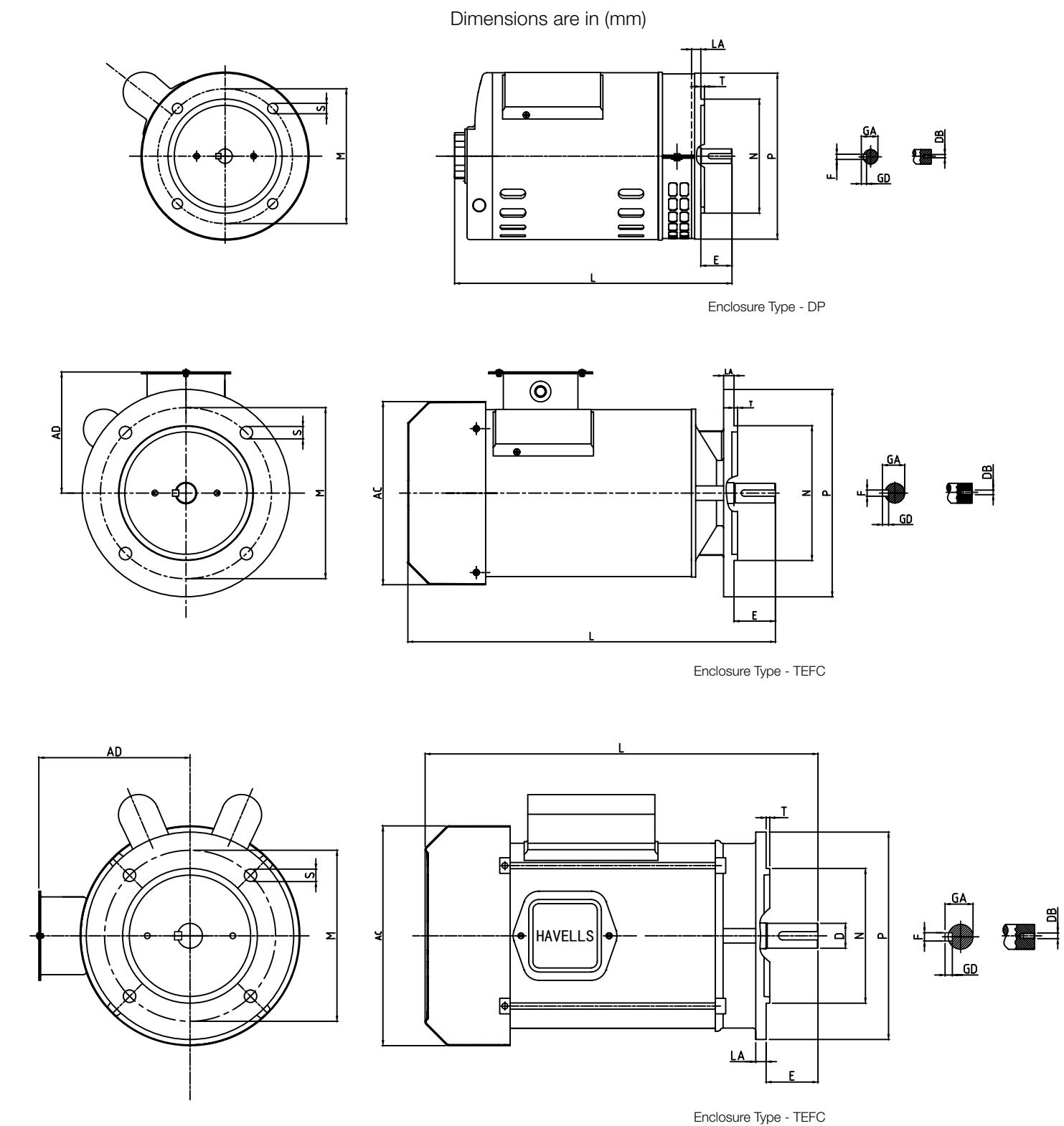
Frame	Encl.	Cap. Type	HP	Kw	FLA	RPM	EFF.	STT%	L	Kg
B56	DP	CSIR	0.25	0.18	2.5	1425	49.5	275	250	9
B56	DP	CSIR	0.5	0.37	4.6	1425	58	275	270	13
B56	DP	CSIR	1.0	0.75	5.8	1445	71	275	300	16
B56	DPFC	CSIR	1.0	0.75	5.9	1445	72	275	345	17
B56	TEFC	CSCR	1.0	0.75	6.0	1445	72	250	345	17
100S	TEFC	CSCR	1.5	1.1	8.7	1450	69	300	330	23
100S	TEFC	CSCR	2.0	1.5	10	1450	75.5	300	350	26
100S	TEFC	CSCR	3.0	2.2	13	1450	79.5	300	375	32

*Suitable for 160V to 240V 50Hz Operation | BS 5000 Part 11 / IS 996 for performance

Single phase - FHP Motor

Sheet Body (IEC Flange)

Single Phase Motor



Frame	Rating	ENCL.	"Cap. Type"	P	N	M	LA	T	S	No. of Holes	AD	AC	L	D/DA	E/EA	F	GD	GA	DB
71	0.5HP	DP	CSIR	160	110	130	9	3.5	10	4	----	----	270	14	30	5	5	16	M5
71	0.5HP	TEFC	CSIR	160	110	130	9	3.5	10	4	132	177	308	14	30	5	5	16	M5
80	1HP	TEFC	CSIR/CSCR	200	130	165	10	3.5	12	4	132	177	355	19	40	6	6	21.5	M6
90	1.5HP	TEFC	CSCR	200	130	165	10	3.5	12	4	146	212	380	24	50	8	7	27	M8
90	2HP	TEFC	CSCR	200	130	165	10	3.5	12	4	146	212	396	24	50	8	7	27	M8